

LINE ECO Recessed

# LE70FD





# LE70FD

## Basic Parameters

Material	AL6063-T5,spraying surface
IP Grade	IP20
Warranty	5 years

## Electrical Parameters

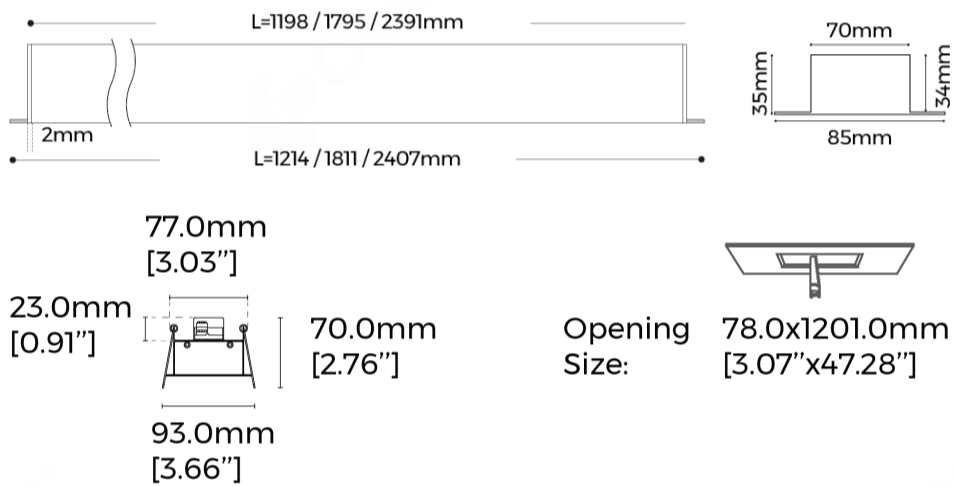
Input Voltage	AC200-240V
Control	Non-Dimming,1-10V Dimming,DALI Dimming

## Optical Parameters

Version	Regular,High efficiency,Regular-3 CCT Dial Switch,High efficiency-3 CCT Dial Switch
SDCM	<3 Step (ANSI)
Length	1200mm,1800mm,2400mm
CRI	>80,>90
CCT	2700K,3000K,4000K,6500K,3000K-4200K-6500K

Luminous Efficacy	115LM/W(Regular),145LM/W(High efficiency-3CCT Dial switch) 150LM/W(High efficiency),120LM/W(Regular-3CCT Dial switch)
-------------------	---

## Dimensions



## Luminaire Parameters

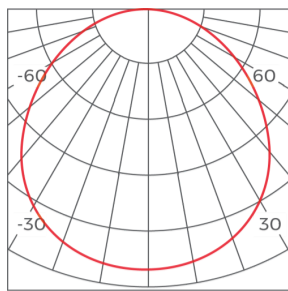
Version	Length	Type Power (W)	PCB Current(A)	CRI	CCT	Lumens(LM) @White,Sliver	Lumens(LM) @Black
Regular-3 CCT Dial Switch	1200mm	47W	1.05	>80	3000K-4200K-6500K	5170/5640/5170	4653/5076/4653
Regular-3 CCT Dial Switch	1800mm	70W	1.55	>80	3000K-4200K-6500K	7700/8400/7700	6930/7560/6930
Regular-3 CCT Dial Switch	2400mm	90W	2	>80	3000K-4200K-6500K	9900/10800/9900	8910/9720/8910
Regular-3 CCT Dial Switch	1200mm	47W	1.05	>90	3000K-4200K-6500K	4446/4850/4446	4001/4365/4001
Regular-3 CCT Dial Switch	1800mm	70W	1.55	>90	3000K-4200K-6500K	6622/7224/6622	5959/6501/5959
Regular-3 CCT Dial Switch	2400mm	90W	2	>90	3000K-4200K-6500K	8514/9288/8514	7662/8359/7662
Regular	1200mm	47W	1.05	>80	4000K	5405	4864
Regular	1800mm	70W	1.55	>80	4000K	8050	7245
Regular	2400mm	90W	2	>80	4000K	10350	9315
Regular	1200mm	47W	1.05	>90	4000K	4648	4183
Regular	1800mm	70W	1.55	>90	4000K	6923	6230
Regular	2400mm	90W	2	>90	4000K	8901	8010
Regular	1200mm	47W	1.05	>80	2700K	4594	4134
Regular	1800mm	70W	1.55	>80	2700K	6842	6158
Regular	2400mm	90W	2	>80	2700K	8797	7917
Regular	1200mm	47W	1.05	>90	2700K	3951	3555
Regular	1800mm	70W	1.55	>90	2700K	5884	5296

Regular	2400mm	90W	2	>90	2700K	7565	6809
Regular	1200mm	47W	1.05	>80	3000K	4864	4378
Regular	1800mm	70W	1.55	>80	3000K	7245	6520
Regular	2400mm	90W	2	>80	3000K	9315	8383
Regular	1200mm	47W	1.05	>90	3000K	4183	3765
Regular	1800mm	70W	1.55	>90	3000K	6230	5607
Regular	2400mm	90W	2	>90	3000K	8010	7209
Regular	1200mm	47W	1.05	>80	6500K	5405	4864
Regular	1800mm	70W	1.55	>80	6500K	8050	7245
Regular	2400mm	90W	2	>80	6500K	10350	9315
Regular	1200mm	47W	1.05	>90	6500K	4648	4183
Regular	1800mm	70W	1.55	>90	6500K	6923	6230
Regular	2400mm	90W	2	>90	6500K	8901	8010
High-Efficiency	1200mm	36W	0.8	>80	4000K	5400	4860
High-Efficiency	1800mm	54W	1.2	>80	4000K	8100	7290
High-Efficiency	2400mm	72W	1.6	>80	4000K	10800	9720
High-Efficiency	1200mm	36W	0.8	>90	4000K	4968	4471
High-Efficiency	1800mm	54W	1.2	>90	4000K	7452	6706
High-Efficiency	2400mm	72W	1.6	>90	4000K	9936	8942
High-Efficiency	1200mm	36W	0.8	>80	2700K	5130	4617
High-Efficiency	1800mm	54W	1.2	>80	2700K	7695	6925
High-Efficiency	2400mm	72W	1.6	>80	2700K	10260	9234
High-Efficiency	1200mm	36W	0.8	>90	2700K	4719	4247
High-Efficiency	1800mm	54W	1.2	>90	2700K	7079	6371
High-Efficiency	2400mm	72W	1.6	>90	2700K	9439	8495
High-Efficiency	1200mm	36W	0.8	>80	3000K	5400	4860
High-Efficiency	1800mm	54W	1.2	>80	3000K	8100	7290
High-Efficiency	2400mm	72W	1.6	>80	3000K	10800	9720
High-Efficiency	1200mm	36W	0.8	>90	3000K	4968	4471
High-Efficiency	1800mm	54W	1.2	>90	3000K	7452	6706
High-Efficiency	2400mm	72W	1.6	>90	3000K	9936	8942
High-Efficiency	1200mm	36W	0.8	>80	6500K	5400	4860
High-Efficiency	1800mm	54W	1.2	>80	6500K	8100	7290
High-Efficiency	2400mm	72W	1.6	>80	6500K	10800	9720
High-Efficiency	1200mm	36W	0.8	>90	6500K	4968	4471
High-Efficiency	1800mm	54W	1.2	>90	6500K	7452	6706
High-Efficiency	2400mm	72W	1.6	>90	6500K	9936	8942
High efficiency-3 CCT Dial Switch	1200mm	36W	0.8	>80	3000K-4200K-6500K	5040/5220/5220	4698/4698/4698
High efficiency-3 CCT Dial Switch	1800mm	54W	1.2	>80	3000K-4200K-6500K	7560/7830/7830	6804/7047/7047
High efficiency-3 CCT Dial Switch	2400mm	72W	1.6	>80	3000K-4200K-6500K	10080/10440/10440	9072/9396/9396
High efficiency-3 CCT Dial Switch	1200mm	36W	0.8	>90	3000K-4200K-6500K	4636/4802/4802	4173/4322/4322
High efficiency-3 CCT Dial Switch	1800mm	54W	1.2	>90	3000K-4200K-6500K	6955/7203/7203	6259/6483/6483
High efficiency-3 CCT Dial Switch	2400mm	72W	1.6	>90	3000K-4200K-6500K	9273/9604/9604	8346/8644/8644

1. The output data is based on the testing result of Ra80,4000k,white luminaires;
2. The tolerance of output data can be vary up to 10%;
3. The output data is typical value;

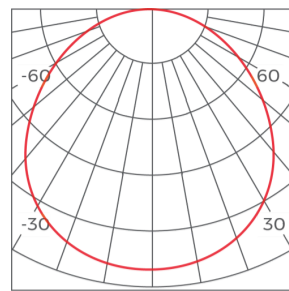
## Light Distribution

### Regular-100°



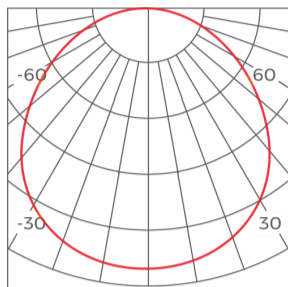
h(m)	D(cm)	E(lx)
1	249	2084
2	498	521
3	746	232
4	995	130

### High efficiency-100°



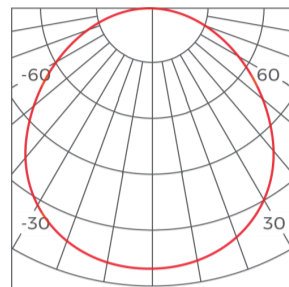
h(m)	D(cm)	E(lx)
1	249	2378
2	498	594
3	748	264
4	997	149

### Regular-3CCT Dial Switch-100°



h(m)	D(cm)	E(lx)
1	249	2107
2	498	527
3	747	234
4	996	132

### High efficiency-3CCT Dial Switch-100°



h(m)	D(cm)	E(lx)
1	249	2530
2	498	632
3	747	280
4	996	132

\*The above data is based on a white coated, 1200mm length lamp with Ra80,4000K.

### Packing

Size (mm/box)	Quantity /box	QTY/CTN	NW (kg/box)	N. WT (ctn)	G.WT (ctn)	Size (cm/carton)	Product Size (mm)
L1218*W97*H74	1	4	1.54	6.16	7.36	123*21.9*15.4	1214*93*70mm
L1815*W97*H74	1	4	2.31	9.24	11.04	183*21.9*15.4	1811*93*70mm
L2407*W97*H74	1	4	3.08	12.32	14.72	242*21.9*15.4	2407*93*70mm

### Attentions

1. Non-professionals are prohibited from installing, disassembling and repairing the product.
2. Avoid scratching, distortion and irregular bending of the product during installation; otherwise it may cause irreparable damage to the product.
3. Please use professional cutting tools when cutting.
4. Do not use any acid or alkaline adhesive to fix products.
5. The product is only suitable for indoor dry places, can not be used in outdoor, seaside or wet environment.
6. PC features: Each 10°C rise or drop will make diffuser extend or shrink 0.8mm/m, please confirm before processing and use.